

VISO[®]

— MINISAT —

designed for extra profit



Design - a statement. Control - at all times. Operation - reduced to efficiency.

LINKED TO SUCCESS

THE UNIVERSAL INPUT TERMINAL

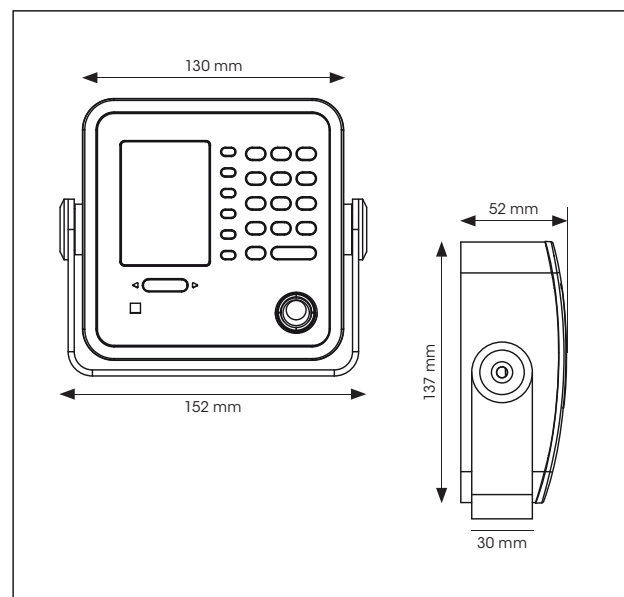


The VISO Minisat operates and controls all networked appliances.

Thanks to its minimal size, the VISO Minisat can be integrated anywhere that it is required. Despite this small size, the VISO Minisat has a comprehensive 10-key console to ensure reliable operation.

As with all appliances from the VISO family, the VISO Minisat can also work in either debit and/or credit mode. In debit mode, the VISO Minisat is used to enter table or room information for the various peripheral systems such as hot beverage machines or the LIBRA system for bottle supervision and/or serving by the glass.

Made-to-order drinks such as Caffè Corretto can also be logged with the VISO Minisat. In this case, the ingredients are automatically shown as credit on the individual machines (e.g. Caffè Corretto is made up of 1 x Espresso, 1 x Grappa 2 cl)



Your Dealer:



Privatquelle Gruber GmbH & Co KG • Innsbrucker Straße 38 • 6230 Brixlegg
Tel. +43 (0)5337 62628-329 • www.schanksysteme.com • info@schanksysteme.com